

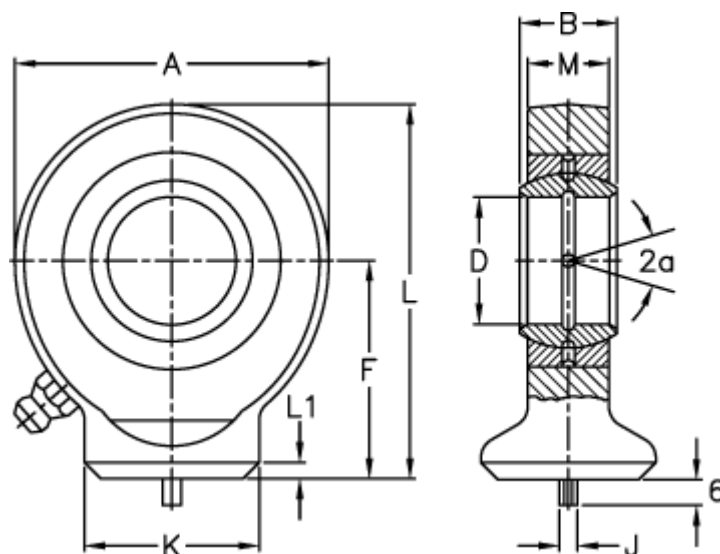
Data Sheet



Article number: 03555070

Description: Fluro hydraulic rod end FS 70C

Measures



A	= 160	L	= 195
a (degrees)	= 6	L1	= 10
B	= 49	M	= 42
D	= 70	Static load C0 (kN)	= 510
Dynamic load C (kN)	= 315	Weight	= 7000
F	= 115		
J	= 6		
K	= 80		